

Specifications

| Models | Z-30/20N DC | | Z-30/20N RJ DC | |
|------------------------------------|-------------|---------|----------------|---------|
| Measurements | US | Metric | US | Metric |
| Working height maximum* | 36 ft | 11.14 m | 35 ft 2 in | 10.89 m |
| Platform height maximum | 30 ft | 9.14 m | 29 ft 2 in | 8.89 m |
| Horizontal reach maximum | 21 ft 5 in | 6.53 m | 20 ft 6 in | 6.25 m |
| Up and over clearance maximum | 12 ft 8 in | 3.86 m | 12 ft 8 in | 3.86 m |
| A Platform length | 2 ft 6 in | 0.76 m | 2 ft 6 in | 0.76 m |
| B Platform width | 3 ft 10 in | 1.17 m | 3 ft 10 in | 1.17 m |
| C Height - stowed | 6 ft 6.5 in | 2 m | 6 ft 6.5 in | 2 m |
| D Length - stowed | 16 ft 9 in | 5.11 m | 17 ft 5 in | 5.31 m |
| E Storage height | 6 ft 7 in | 2.08 m | 7 ft 4 in | 2.24 m |
| F Storage length | 11 ft 6 in | 3.5 m | 12 ft | 3.66 m |
| G Width | 3 ft 11 in | 1.19 m | 3 ft 11 in | 1.19 m |
| H Wheelbase | 5ft 2 in | 1.58m | 5ft 2 in | 1.58m |
| A Ground clearance - center | 3.5 in | 0.09 m | 3.5 in | 0.09 m |

Productivity

| | | | | |
|---------------------------|----------------------|---------------|----------------------|---------------|
| Lift capacity | 500 lbs | 227 kg | 500 lbs | 227 kg |
| Platform rotation | 180° | | 180° | |
| Vertical jib rotation | 139° | | 139° | |
| Horizontal jib rotation | — | | 180° | |
| Turntable rotation | 355° non-continuous | | 355° non-continuous | |
| Turntable tailswing | zero | | zero | |
| Drive speed - stowed | 3.0 mph | 4.8 km/h | 3.0 mph | 4.8 km/h |
| Drive speed - raised** | 0.68 mph | 1.1 km/h | 0.68 mph | 1.1 km/h |
| Gradeability - stowed*** | 35% | | 35% | |
| Turning radius - inside | 5 ft 5 in | 1.65 m | 5 ft 5 in | 1.65 m |
| Turning radius - outside | 10 ft 7 in | 3.23 m | 10 ft 7 in | 3.23 m |
| Controls | 24 V DC proportional | | 24 V DC proportional | |
| Tires - solid non-marking | 22x7x17.75 in | .56x.18x.45 m | 22x7x17.75 in | .56x.18x.45 m |

Power

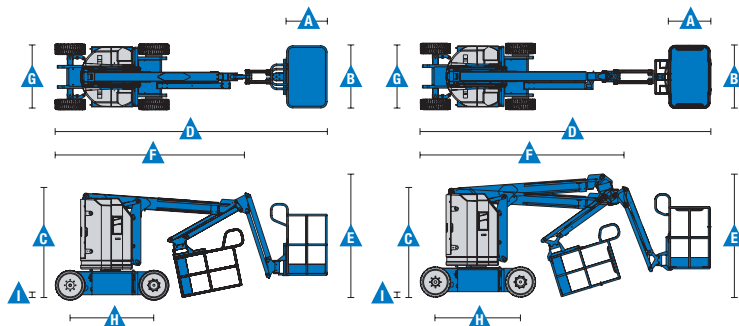
| | | |
|-------------------------|--|--|
| Power source | 48 V DC (eight 6 V batteries 350 Ah capacity) | 48 V DC (eight 6 V batteries 350 Ah capacity) |
| Auxiliary power unit | 24 V DC | 24 V DC |
| Hydraulic tank capacity | 4 gal | 15.1 L |

Weight****

| | | | | |
|--|------------|----------|------------|----------|
| | 14,170 lbs | 6,428 kg | 14,220 lbs | 6,450 kg |
|--|------------|----------|------------|----------|

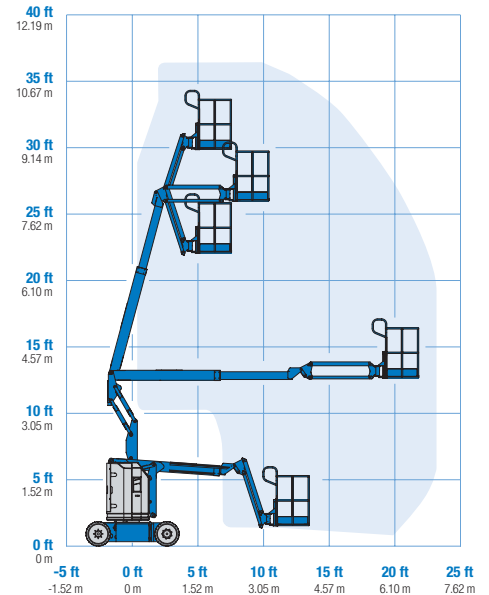
Standards Compliance

ANSI A92.5, CSA B354.4, EN 280, AS 1418.10

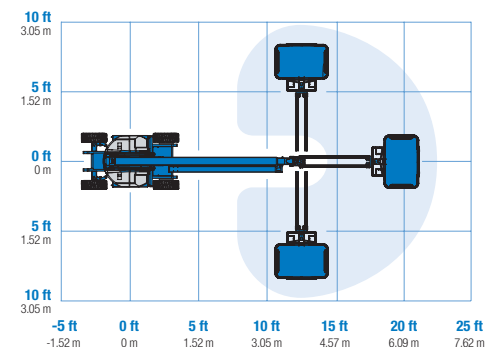
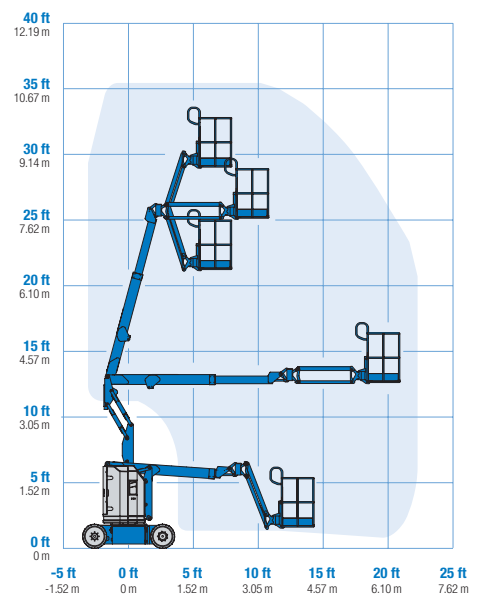


* The metric equivalent of working height adds 2 m to platform height. U.S. adds 6 ft to platform height.
 ** In lift mode *(platform raised), the machine is designed to operated on firm, level surfaces only.
 *** Gradeability applies to driving on slopes. See operator's manual for details regarding slope ratings.
 **** Weight will vary depending on options and/or country standards.

Range Of Motion Z-30/20N



Range Of Motion Z-30/20N RJ



Features

| Standard Features | Easily Configured To Meet Your Needs | Options & Accessories |
|-------------------|--------------------------------------|-----------------------|
|-------------------|--------------------------------------|-----------------------|

Measurements

Z-30/20N

- 36 ft (11.14 m) working height
- 21 ft 5 in (6.53 m) horizontal reach
- 12 ft 8 in (3.86 m) up and over clearance
- Up to 500 lbs (227 kg) lift capacity

Z-30/20N RJ

- 35 ft 2 in (10.89 m) working height
- 20 ft 6 in (6.25 m) horizontal reach
- 12 ft 8 in (3.86 m) up and over clearance
- Up to 500 lbs (227 kg) lift capacity

Productivity

- 4 ft (1.22 m) jib boom with 139° working range
- Self-leveling platform
- Hydraulic platform rotation
- Proportional joystick controls
- Thumb rocker steer
- Drive enable
- AC power cord to platform
- Horn
- Hour meter
- Tilt alarm
- Descent & travel alarms
- Zero tailswing and front arm swing
- 355° non-continuous turntable rotation
- Telematics ready connector
- Lift Guard™ Contact Alarm
- Dual parallelogram for vertical wall tracking

Power

- 48 V DC deep cycle battery pack
- 24 V DC auxiliary power
- Universal 30A battery smart charger

Platform

- Steel 3 ft 10 in (1.17 m) with sliding mid-rail

Jib Options

- 4 ft (1.22 m) jib boom
- 4 ft (1.22 m) horizontal rotating jib boom

Power

- 48 V DC power source

Drive

- 2WD

Tire

- Solid rubber non-marking



Productivity

- Platform swing gate
- Half-mesh platform inserts with swing gate
- Platform top auxiliary rail
- Air line to platform
- Specialty hydraulic oil (cold weather, fire resistant or biodegradable)
- Aircraft protection package (Not available on RJ model)*
- Hostile environment kit
- Fluorescent tube caddy **
- Pipe cradle (pair) **
- Flashing beacon
- Light package
- Lockable platform control box cover

Power

- AGM batteries
- EE UL583 Fire Protection rating
- Battery charge indicator (BCI)
- Low voltage interrupt with BCI
- 800 watt 120VAC power inverter

* Reduces platform weight capacity to 440 lbs
** Available through aftermarket parts only

Genie United States

6464 185th Ave. NE
Redmond, WA 98052
Telephone +1 (425) 881-1800
Toll Free in USA/Canada +1 (800)-536-1800
Fax +1 (425) 883-3475

Distributed By:

Effective Date: January, 2017. Product specifications and prices are subject to change without notice or obligation. The photographs and/or drawings in this document are for illustrative purposes only. Refer to the appropriate Operator's Manual for instructions on the proper use of this equipment. Failure to follow the appropriate Operator's Manual when using our equipment or to otherwise act irresponsibly may result in serious injury or death. The only warranty applicable to our equipment is the standard written warranty applicable to the particular product and sale and we make no other warranty, express or implied. Products and services listed may be trademarks, service marks or trade names of Terex Corporation and/or their subsidiaries in the USA and many other countries. Terex, Genie and AWP are registered trademarks of Terex Corporation or its subsidiaries. © 2017 Terex Corporation.