



Max Lifting  
Height 5.5m

Working Radius 5.1m

Capacity  
0.995t x 1.1m

Weight  
1150kg

**MC104**

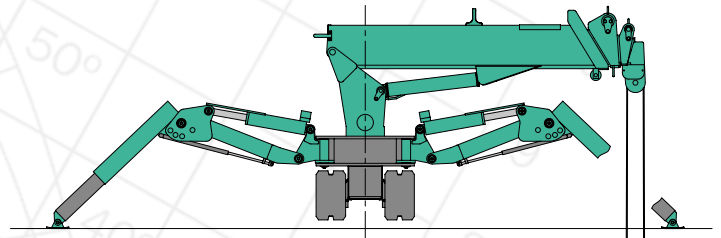




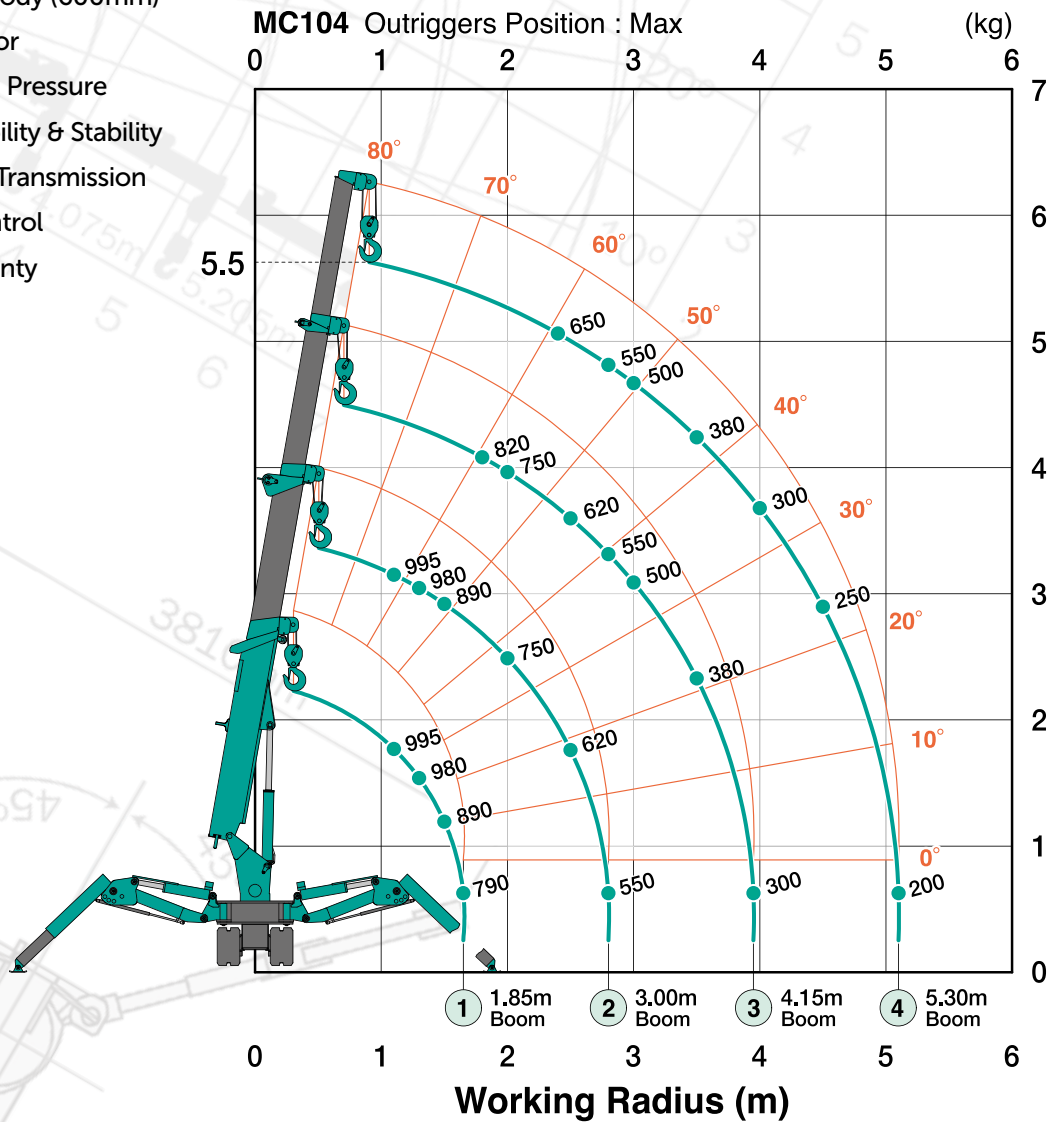
# MC104

The MC104 is the baby of the Maeda Mini Cranes range, yet still has a fantastic lifting capacity. Its slim body is able to fit through a standard doorway allowing access to areas previously inaccessible to standard cranes. The MC104 is powered by an electric motor which operates from any standard 3 phase electric source.

- 0.995 Ton Max capacity
- 5.5m Max Working Height
- Super Slim Body (600mm)
- Electric Motor
- Low Ground Pressure
- Manoeuvrability & Stability
- Hydrostatic Transmission
- Remote Control
- 2 Year Warranty



MC104 Outriggers Position : Max



This working range chart shows total rated load including boom deflection.

... consider the possibilities



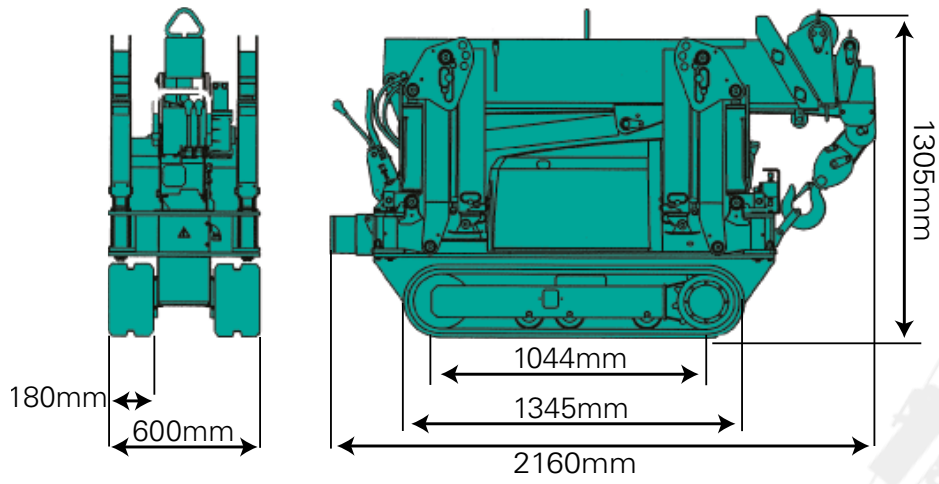
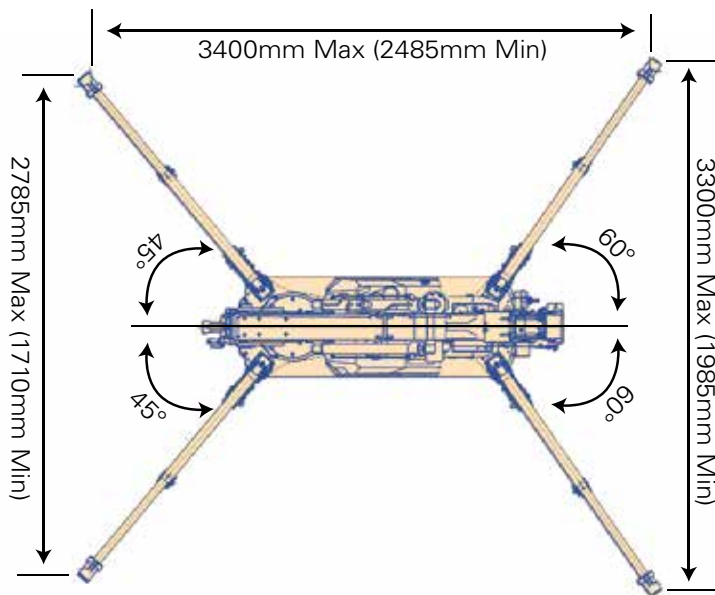
Total rated load Outriggers at Maximum position							
1.85m boom		3.00m boom		4.15m boom		5.30m boom	
Working radius (m)	Total rated load(kg)	Working radius (m)	Total rated load(kg)	Working radius (m)	Total rated load(kg)	Working radius (m)	Total rated load(kg)
< 1.1	995	< 1.1	995	< 1.8	820	< 2.4	650
1.3	980	1.3	980	2.0	750	2.5	620
1.5	890	1.5	890	2.5	620	2.8	550
1.65	790	2.0	750	2.8	550	3.0	500
		2.5	620	3.0	500	3.5	380
		2.8	550	3.5	380	4.0	300
				3.95	300	4.5	250
						5.1	200

Total rated load Outriggers at any other position							
1.85m boom		3.00m boom		4.15m boom		5.30m boom	
Working radius (m)	Total rated load(kg)	Working radius (m)	Total rated load(kg)	Working radius (m)	Total rated load(kg)	Working radius (m)	Total rated load(kg)
< 1.1	735	< 1.1	735	< 1.8	435	< 2.4	295
1.3	620	1.3	620	2.0	405	2.5	280
1.5	540	1.5	540	2.5	280	2.8	210
1.65	490	2.0	405	2.8	210	3.0	185
		2.5	280	3.0	185	3.5	140
		2.8	210	3.5	140	4.0	100
				3.95	110	4.5	75
						5.1	60

- When using two fall or single fall hooks, use the appropriate four fall Total Rated Load Chart but with a maximum load of:  
Two Fall - 500kg, Single Fall - 250kg.

## Outrigger Footprints

Diagram shows outriggers at maximum position.



# MC104

## Specifications

Capacity	Maximum	0.995t x 1.1m
Working radius	Maximum	5.1m x 200kg
Lifting height	Maximum	5.5m x 650kg
Dimensions	Mc104	2160mm x 600mm x 1305mm
Weight	Mc104 Hook block weight	1150kg 15kg
Hook speed	Maximum	3.2m / min. (4 falls, 3rd layer)
Single line speed	Maximum	12.8m / min. (3rd layer)
Hoist rope	Type	IWRC 6 x Fi (29) Ø 6mm x 39m
Telescopic system	Boom length Telescoping speed Boom type	1.85m - 5.30m 3.45m / 20sec. Fully automatic 4 section pentagonal telescopic boom
Boom hoist system	Hoist angle / speed	0° - 75° / 11 sec.
Slew system	Slew angle / speed	360° continuous / 1.3 rpm
Outrigger system	Type Maximum outriggers	4 Multi position box type. Hydraulic cylinders with lock valves. (Length) 3400mm x (Front) 3300mm x (Rear) 2785mm
Traction system	Drive Travel speed Gradability Ground length x width Ground pressure	Hydrostatic type, stepless forward and reverse 0 - 1.9 km/h 20° 1044mm x 180mm (Track dimensions) 0.29 kgf / cm <sup>2</sup>
Motor	Electric motor	5.5kW, 4P, 380V Totally enclosed fan-cooled type.
Standard equipment	Working light, hour-meter, 4-fall hook block, black rubber tracks, cable remote control, overwind protection, EMO switch	
Optional equipment	White rubber tracks Single fall hook Two fall hook Radio remote control Loadwise safe load indicator	

